

DATA SHEET

SKY12242-492LF: 1.8 to 3.0 GHz, 100 W Compact High-Power SPDT Switch with Integrated Driver

Applications

- TDD 2G/3G/4G LTE systems
- High-power switch for micro-cell and macro-cell base stations
- Active antenna array

Features

- Compact, integrated high-power switch with driver circuit
- Small PCB footprint with minimal external components
- Requires only a single +5 V DC supply, and a 0 to 3 V logic control
- Low TX/RX insertion loss: 0.3/0.7 dB @ 2.6 GHz
- High TX to RX isolation: 47.2 dB @ 2.6 GHz
- Low DC power consumption: < 100 mA in TX mode or < 55 mA in RX mode
- Small QFN (20-pin, 5 × 5 mm) Pb-free package (MSL3, 260 °C per JEDEC J-STD-020)



Skyworks Green™ products are compliant with all applicable legislation and are halogen-free. For additional information, refer to *Skyworks Definition of Green™*, document number SQ04-0074.

Table 1. Pin-to-Pin Compatible High-Power SPDT Switches

| Part Number | Power Handling |
|----------------|----------------|
| SKY12241-492LF | 50 W (CW) |
| SKY12242-492LF | 100 W (CW) |

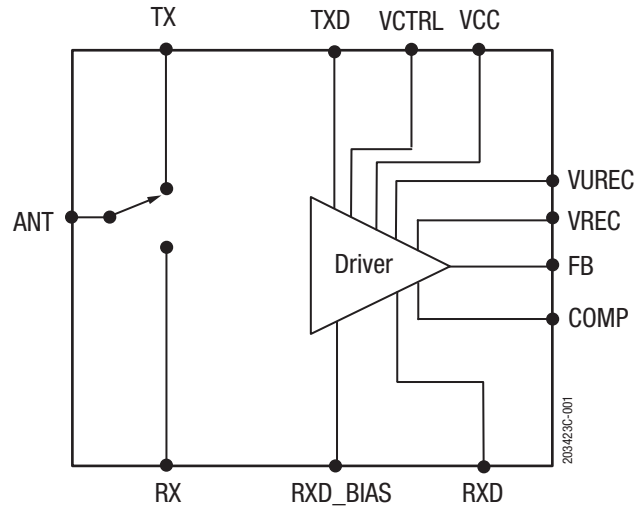


Figure 1. SKY12242-492LF Block Diagram

Description

The SKY12242-492LF is a compact, integrated high-power single-pole, double-throw (SPDT) switch with driver circuit for TD-LTE applications. The part operates with a single +5 V supply and switches with a single control voltage (0 to 3 V).

This device features low TX and RX insertion loss, high isolation with low DC power consumption and requires minimal external components, enabling a smaller PCB footprint.

The device is provided in a 5 × 5 mm, 20-pin Quad Flat No-Lead (QFN) package. A functional block diagram is shown in Figure 1. The pin configuration and package are shown in Figure 2. Table 1 list the part numbers of pin-compatible parts belonging to this family of high-power SPDT switches. Signal pin assignments and functional pin descriptions are provided in Table 2.

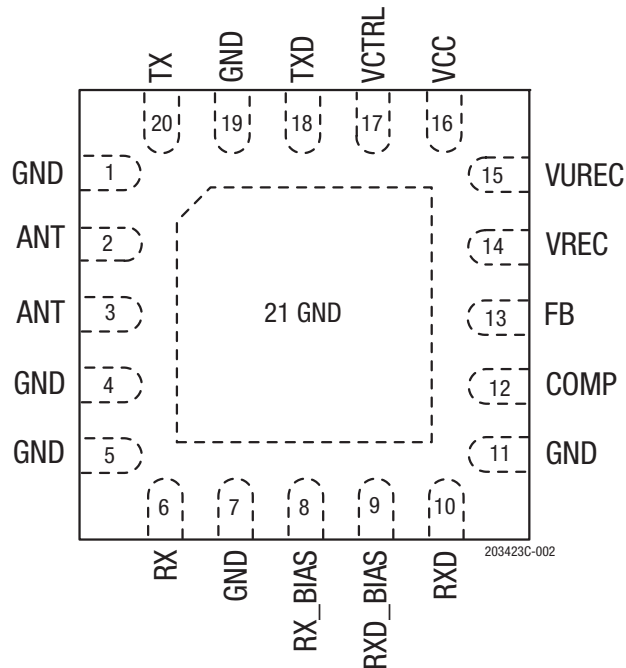


Figure 2. SKY12242-492LF Pinout (Top View)

Table 2. SKY12242-492LF Signal Pin Descriptions

| Pin | Name | Function | Description |
|--------------------|----------|----------|---|
| 1, 4, 5, 7, 11, 19 | GND | Ground | Ground. Must be connected to ground using lowest possible impedance. |
| 2, 3 | ANT | I/O | Antenna RF port and DC bias input port. RF input line must be connected to both pins. |
| 6 | RX | 0 | Receive RF output port and DC bias input port. |
| 8 | RX_BIAS | I | DC bias input port. |
| 9 | RXD_BIAS | 0 | Driver output voltage for switch RX_BIAS connection. |
| 10 | RXD | 0 | Driver output voltage for switch RX port. |
| 12 | COMP | 0 | Compensation pin of the internal boost converter. |
| 13 | FB | 0 | Feedback pin of the internal boost converter. |
| 14 | VREC | I | Rectified output voltage node of the internal boost converter. |
| 15 | VUREC | 0 | Unrectified output voltage node of the internal boost converter. |
| 16 | VCC | I | Input voltage for driver Vcc. |
| 17 | VCTRL | I | Switch control (0/3 V) (0 V for Receive mode, 3 V for Transmit mode). |
| 18 | TXD | 0 | Driver output pin for TX port DC bias connection. |
| 20 | TX | I | Transmit RF input port and DC bias input port. |
| 21 | GND | Ground | Ground. |

Electrical and Mechanical Specifications

The absolute maximum ratings of the SKY12242-492LF are provided in Table 3. Recommended operating conditions are specified in Table 4, DC characteristics in Table 5, and electrical specifications in Table 6. The state of the SKY12242-492LF is determined by the logic provided in Table 7.

Typical performance characteristics of the SKY12242-492LF are illustrated in Figures 3 through 6.

Power derating data is plotted against temperature in Figures 7 and 8.

Table 3. SKY12242-492LF Absolute Maximum Ratings¹
(T_c = 25 °C, Unless Otherwise Noted)

| Parameter | Symbol | Minimum | Maximum | Units |
|--|------------------|---------|---------|-------|
| RF CW input power, TX port, TX mode (T _c = 25 °C) | P _{IN} | | 128 | W |
| RF peak input power, TX port, TX mode (T _c = 25 °C, LTE-TDD, 69 W average power, 8 dB PAR) | P _{IN} | | 437 | W |
| RF CW input power, ANT port, RX mode (T _c = 25 °C) | P _{IN} | | 5 | W |
| RF peak input power, ANT port, RX mode (T _c = 25 °C, LTE-TDD, 2.7 W average power, 8 dB PAR) | P _{IN} | | 17 | W |
| Module supply voltage | V _{CC} | | 6 | V |
| Logic control voltage | V _{CTL} | -0.5 | +5.5 | V |
| Operating temperature range ² | T _C | -40 | +105 | °C |
| Storage temperature range | T _{STG} | -55 | +150 | °C |
| Maximum junction temperature: | T _J | | | |
| Diodes | | | +175 | °C |
| Driver | | | +150 | °C |
| Thermal resistance (T _c = 85 °C) | θ _{JC} | | 10 | °C/W |
| Electrostatic discharge: | ESD | | | |
| Charged Device Model (CDM), Class C3 | | | 1000 | V |
| Human Body Model (HBM), Class 1B | | | 500 | V |

¹ Exposure to maximum rating conditions for extended periods may reduce device reliability. There is no damage to device with only one parameter set at the limit and all other parameters set at or below their nominal value. Exceeding any of the limits listed here may result in permanent damage to the device.

² CW transmit power handling capability over temperature is shown in Figure 7 and Figure 8.

ESD HANDLING: Although this device is designed to be as robust as possible, electrostatic discharge (ESD) can damage this device. This device must be protected at all times from ESD when handling or transporting. Static charges may easily produce potentials of several kilovolts on the human body or equipment, which can discharge without detection. Industry-standard ESD handling precautions should be used at all times.

Table 4. SKY12242-492LF Recommended Operating Conditions

| Parameter | Symbol | Min | Typ | Max | Units |
|------------------------------|--------------------|-----|-----|-----------------|-------|
| Module supply voltage | V _{CC} | 4.5 | 5 | 5.5 | V |
| Logic control voltage (low) | V _{CTL_L} | 0 | 0 | 0.4 | V |
| Logic control voltage (high) | V _{CTL_H} | 1.8 | 3 | V _{CC} | V |

Table 5. SKY12242-492LF DC Electrical Characteristics

| Parameter | Symbol | Min | Typ | Max | Units |
|-------------------------------|--------------------|-----|-----|-----|-------|
| Driver supply current TX Mode | I _{CC_TX} | | 96 | | mA |
| Driver supply current RX Mode | I _{CC_RX} | | 53 | | mA |

Table 6. SKY12242-492LF Electrical Specifications¹ (1 of 2)

(T_c = +25 °C, Characteristic Impedance [Z₀] = 50 Ω, as Measured on the Evaluation Board Optimized for 2.6 GHz Operation, Unless Otherwise Noted. Unused Port Terminated to 50 Ω)

| Parameter | Symbol | Test Condition | Min | Typ | Max | Units |
|---|-----------------|---|-----|-----|-----|-------|
| Insertion loss, TX to ANT ports | ILTX-ANT | V _{CC} = 5 V, V _{CTRL} = 3 V (Tx mode), TX port input power (pin 20) = 0 dBm, measured at TX port: | | | | |
| | | 1.8 GHz | | 0.2 | | dB |
| | | 2.6 GHz | | 0.3 | 0.5 | dB |
| 3.0 GHz | | 0.3 | | dB | | |
| Insertion loss, ANT to RX ports | ILANT-RX | V _{CC} = 5 V, V _{CTRL} = 0 V (Rx mode), ANT port input power (pin 2, 3) = 0 dBm, measured at RX port: | | | | |
| | | 1.8 GHz | | 0.6 | | dB |
| | | 2.6 GHz | | 0.7 | 0.9 | dB |
| 3.0 GHz | | 0.8 | | dB | | |
| Isolation, TX to RX ports | ISOTX-RX | V _{CC} = 5 V, V _{CTRL} = 3 V (Tx mode), TX port input power (pin 20) = 0 dBm, measured at RX port: | | | | |
| | | 1.8 GHz | 43 | 42 | | dB |
| | | 2.6 GHz | | 45 | | dB |
| 3.0 GHz | | 39 | | dB | | |
| Isolation, ANT to TX ports | ISOANT-TX | V _{CC} = 5 V, V _{CTRL} = 0 V (Rx mode), ANT port input power (pin 3) = 0 dBm, measured at TX port: | | | | |
| | | 1.8 GHz | 12 | 15 | | dB |
| | | 2.6 GHz | | 13 | | dB |
| 3.0 GHz | | 12 | | dB | | |
| Isolation, ANT to RX ports | ISOANT-RX | V _{CC} = 5 V, V _{CTRL} = 3 V (Tx mode), ANT port input power (pin 2, 3) = 0 dBm, measured at RX port: | | | | |
| | | 1.8 GHz | 37 | 40 | | dB |
| | | 2.6 GHz | | 40 | | dB |
| 3.0 GHz | | 36 | | dB | | |
| Input return loss | RL | 1.8 to 3.0 GHz: | | | | |
| | | TX insertion loss state, TX port (pin 20), V _{CC} = 5 V, V _{CTRL} = 3 V | | 20 | | dB |
| | | RX insertion loss state, ANT port (pin 2, 3), V _{CC} = 5 V, V _{CTRL} = 0 V | | 22 | | dB |
| Transmit 2nd harmonic | 2f ₀ | TX insertion loss state, TX port (pin 20) input power = +30 dBm, V _{CC} = 5 V, V _{CTRL} = 3 V | | +68 | | dBc |
| Transmit 3rd harmonic | 3f ₀ | TX insertion loss state, TX port input power (pin 20) = +30 dBm, V _{CC} = 5 V, V _{CTRL} = 3 V | | +88 | | dBc |
| Transmit input third order intercept point | IIP3 | TX port input power (pin 20) = 30 dBm/tone, tone spacing = 1 MHz, V _{CC} = 5 V, V _{CTRL} = 3 V | | +68 | | dBm |
| Transmit input power for 0.1 dB compression | PIN_TX_IP0.1dB | V _{CC} = 5 V, V _{CTRL} = 3 V | | +50 | | dBm |
| Receive input power for 1.0 dB compression | PIN_RX_IP1.0dB | V _{CC} = 5 V, V _{CTRL} = 0 V | | +38 | | dBm |

Table 6. SKY12242-492LF Electrical Specifications¹ (2 of 2)

(T_c = +25 °C, Characteristic Impedance [Z₀] = 50 Ω, as Measured on the Evaluation Board Optimized for 2.6 GHz Operation, Unless Otherwise Noted. Unused Port Terminated to 50 Ω)

| Parameter | Symbol | Test Condition | Min | Typ | Max | Units |
|-----------------------------|---------|---|-----|------|-----|-------|
| Transmit RF rise time | tR_TX | TX mode; 10% RF power to 90% RF power at ANT output, V _{CC} = 5 V, V _{CTRL} = 0 to 3 V | | 17 | | ns |
| Transmit RF fall time | tF_TX | TX mode; 90% RF power to 10% RF power at ANT output, V _{CC} = 5 V, V _{CTRL} = 3 to 0 V | | 17 | | ns |
| Transmit RF switch on time | tON_TX | TX mode; 50% V _{CTRL} signal to 90% RF power at ANT output port, V _{CC} = 5 V, V _{CTRL} = 0 to 3 V | | 589 | | ns |
| Transmit RF switch off time | tOFF_TX | TX mode; 90% RF power to 50% V _{CTRL} signal at ANT output port, V _{CC} = 5 V, V _{CTRL} = 3 to 0 V | | 1350 | | ns |
| Recieve RF rise time | tR_RX | RX mode; 10% RF power to 90% RF power at RX output, V _{CC} = 5 V, V _{CTRL} = 3 to 0 V | | 17 | | ns |
| Recieve RF fall time | tF_RX | RX mode; 90% RF power to 10% RF power at RX output, V _{CC} = 5 V, V _{CTRL} = 0 to 3 V | | 17 | | ns |
| Recieve RF switch on time | tON_RX | RX mode; 50% V _{CTRL} signal to 90% RF power at RX output port, V _{CC} = 5 V, V _{CTRL} = 3 to 0 V | | 1211 | | ns |
| Recieve RF switch off time | tOFF_RX | RX mode; 90% RF power to 50% V _{CTRL} signal at RX output port, V _{CC} = 5 V, V _{CTRL} = 0 to 3 V | | 290 | | ns |

¹ Performance is guaranteed only under the conditions listed in this table.

Table 7. SKY12242-492LF Truth Table (Voltages and Currents are Controlled by Internal Driver Circuit. V_{CC} = 5 V)

| Switch State | Path | | Control Conditions | | | | |
|---------------|---|---|--|------------------------------------|--------------------------------------|----------------------------------|----------------------------|
| | Antenna-to-Receiver Port (Pin 2/3 to Pin 6) | Transmitter-to-Antenna Port (Pin 20 to Pin 2/3) | Logic Control V _{CTRL} (Pin 17) | Antenna Port Bias Input (Pins 2/3) | Transmitter Port Bias Input (Pin 20) | Receiver Port Bias Input (Pin 6) | RX_BIAS Bias Input (Pin 8) |
| Receive mode | Low insertion loss | High isolation | 0 V | 1 V | 5 V (0 mA) | 0 V (-50 mA) | 0 V (0 mA) |
| Transmit mode | High isolation | Low insertion loss | 3 V | 1 V | 0 V (-50 mA) | 28 V (0 mA) | 1 V (30 mA) |

Typical Performance Characteristics

(Tc = +25 °C, [Zo] = 50 Ω, EVB Optimized for 1.8 to 3.0 GHz Operation, Vcc = 5 V, Unless Otherwise Noted)

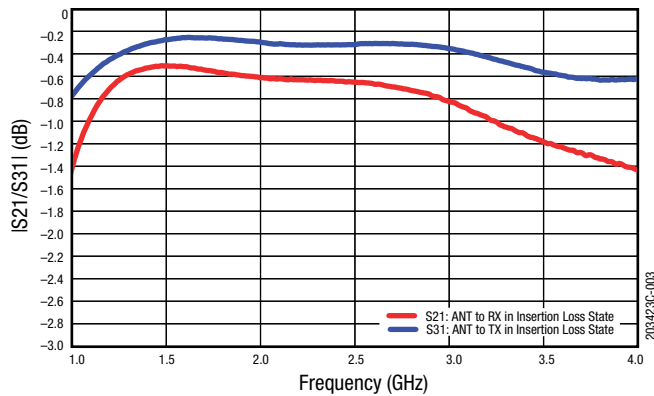


Figure 3. Insertion Loss vs Frequency

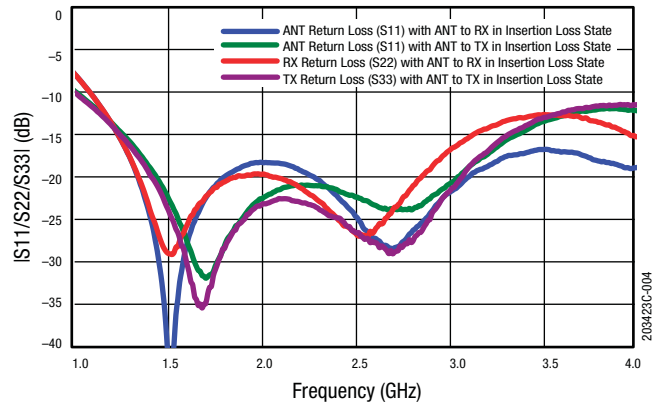


Figure 4. Return Loss vs Frequency

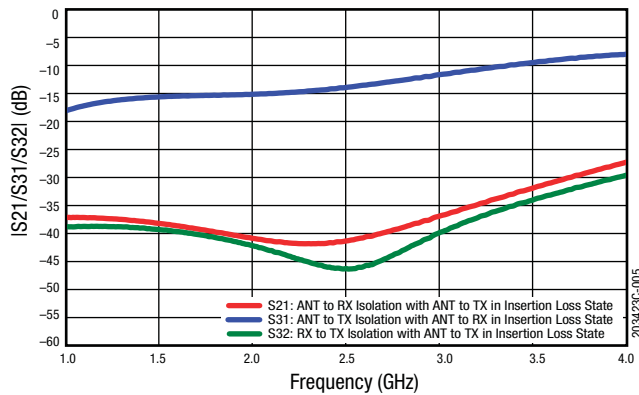


Figure 5. Isolation vs Frequency

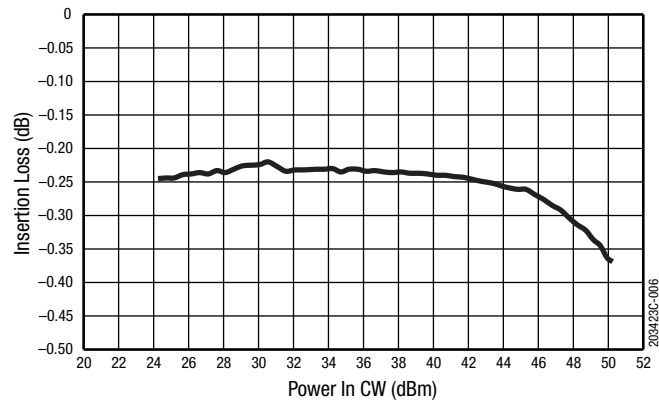


Figure 6. Insertion Loss vs CW Input Power (TX to ANT Port, f = 2.6 GHz)

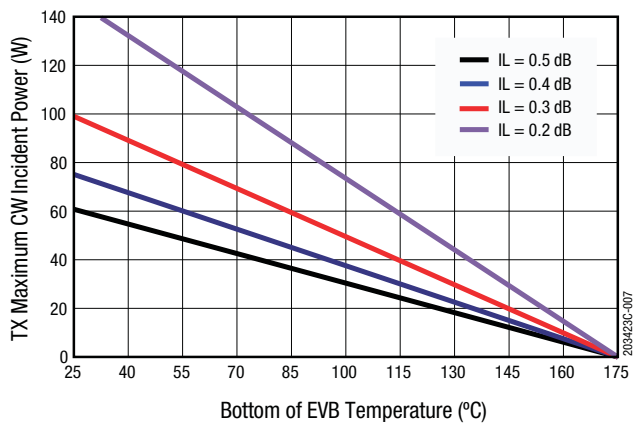


Figure 7. Transmit Power Derating, Maximum CW Incident Power vs EVB Temperature

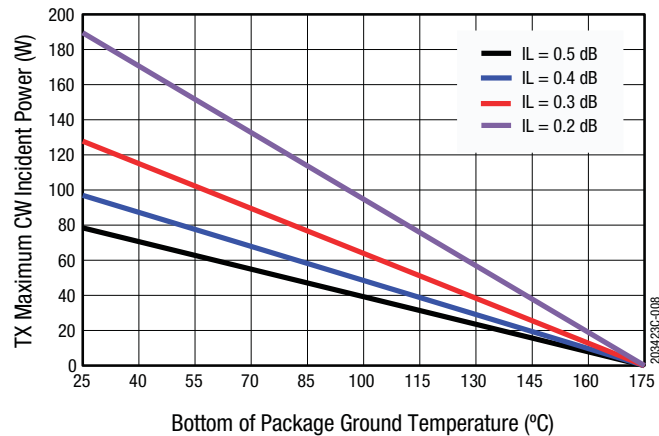


Figure 8. Transmit Power Derating, Maximum CW Incident Power vs Package Ground Temperature

Evaluation Board Description

The SKY12242-492LF Evaluation Board is used to test the performance of the SKY12242-492LF high-power SPDT switch.

The SKY12242-492LF is designed to handle very large signals. Sufficient power may be dissipated by this switch to cause heating of the PIN diodes contained in the switch. It is very important to use a printed circuit board design that provides adequate grounding to facilitate thermal conduction allowing the PIN diodes to remain below their maximum rated junction temperature.

The transmit power derating curves referenced to the bottom of the QFN package are shown in Figure 7. A printed circuit board with a very low thermal resistance and external heat sink design must be used to achieve the results shown in this figure. The transmit power derating curve with the x-axis temperature referenced to the bottom of the printed circuit board is shown in Figure 8.

The evaluation circuit is designed to facilitate control of the SKY12242-492LF transmit/receive switch with a single TTL input. The state of the PIN diodes within the SKY12242-492LF with integrated driver is controlled with 5 V applied to Vcc pin and either 3 V or 0 V applied to the VCTRL pin.

The value of resistor R4 (82 Ω) is selected to provide 50 mA of forward current through the "on" series diode with 5 V applied to the ANT port bias pin. The R5 resistance value of 120 Ω is selected to produce approximately 30 mA of forward bias current in the RX shunt diode with a source voltage of 28 V.

The internal driver with DC-to-DC boost converter manages the voltages applied to the TX and RX ports to determine whether the RX or TX series diodes are biased into forward conduction. For example, with 3 V applied to VCTRL, the driver places the SKY12242-492LF into the transmit state by directing 0 V to the TX port (which forward-biases the diode between pins 2, 3 and 20), 28 V is applied to the RX port (which reverse-biases the diode between pins 2, 3 and 6), and 0 V is applied to the RX_BIAS port (which applies a forward-bias through R5 to the diode connected between pins 6 and 8).

The switch external components were selected to optimize performance in the 1.8 to 3.0 GHz band. An Evaluation Board schematic diagram is shown in Figure 9. The Evaluation Board Bill of Materials is shown in Table 8. An assembly drawing for the Evaluation Board is shown in Figure 10. The board layer details are shown in Figure 11. The layer detail physical characteristics are provided in Figure 12.

Recommended Evaluation Board Test Procedure

In Transmit Configuration:

TX-ANT RF Path: (Transmit Mode)

1. With RF power OFF, connect the signal source to the TX port.
2. Connect a spectrum analyzer or power meter to the ANT port.
3. Terminate the RX-port with 50 Ω .
4. Apply +5 V to the VCC pin.
5. Set VCTRL to high.
6. Turn ON the RF power (TX port), and monitor the output signal at the ANT port.

For Shutdown:

1. Turn OFF the RF power.
2. Turn OFF the VCTRL.
3. Turn OFF the VCC.

Note: *Shutdown is not always necessary. The SKY12242-492LF can be hot-switched without consequence.*

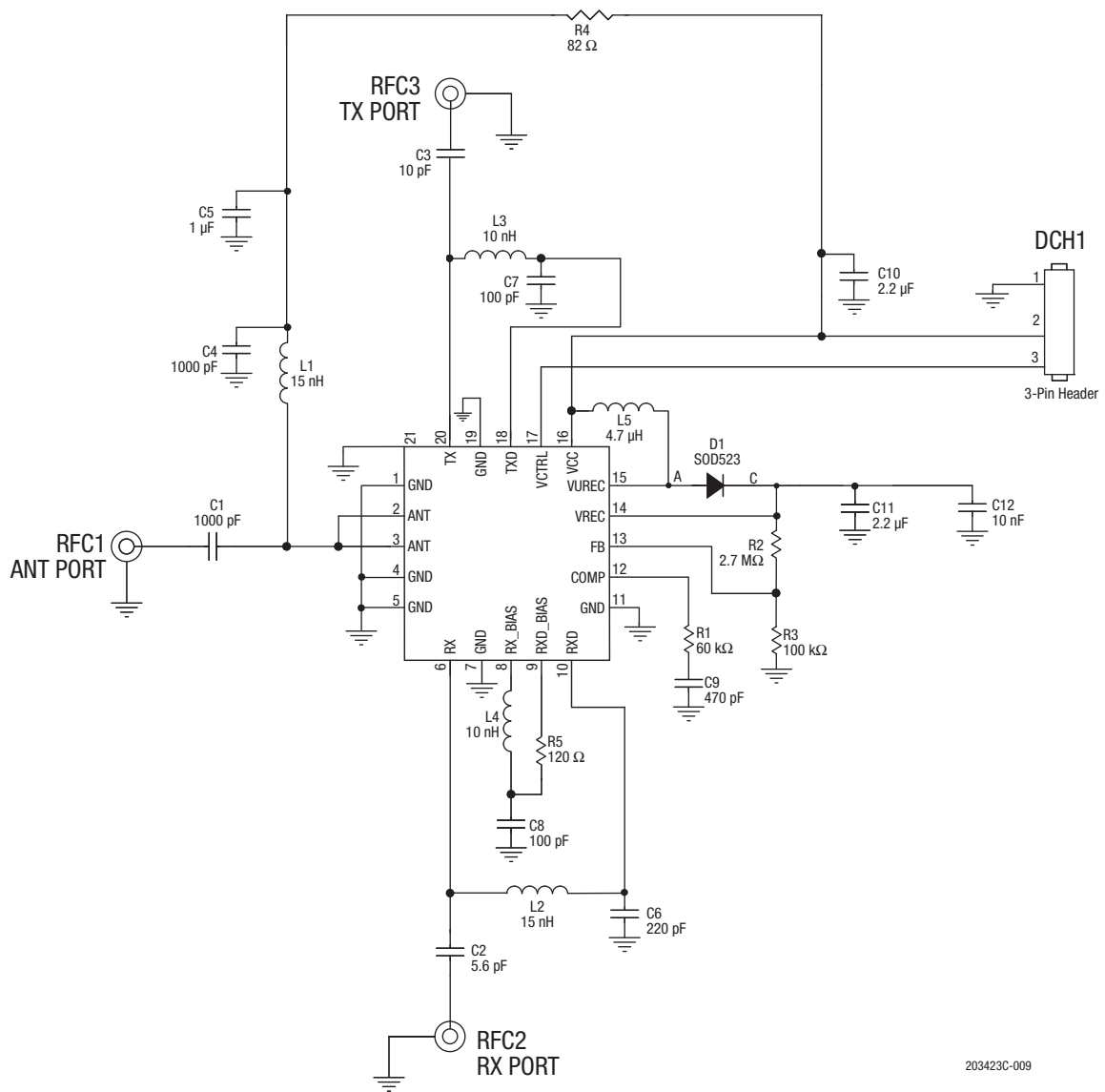
In Receive Configuration:

ANT-RX RF Path: (Receive Mode)

1. With RF power OFF, connect the signal source to the ANT port.
2. Connect a spectrum analyzer or power meter to the RX port.
3. Terminate the TX-port with 50 Ω .
4. Apply +5 V to the VCC pin.
5. Set VCTRL to low.
6. Turn ON the RF power (ANT port), and monitor the output signal at the RX port.

For Shutdown:

1. Turn OFF the RF power.
2. Turn OFF the VCTRL.
3. Turn OFF the VCC.



203423C-009

Figure 9. SKY12242-492LF Evaluation Board Schematic

Table 8. SKY12242-492LF Evaluation Board Bill of Materials (BOM)

| Component | Size | Manufacturer | Mfr Part Numer | Description |
|-----------|--------------------|--------------|---------------------|--|
| C1 | 0603 | TDK | C1608COG1H102J080AA | Ceramic capacitor, 1000 pF, ±5%, G0G, 50 V |
| C2 | 0402 | Murata | GRM1555C1H5R6CZ01 | Ceramic capacitor, 5.6 pF, ±5%, C0G, 50 V |
| C3 | 0603 | TDK | C1608COG2A100D080AA | Ceramic capacitor, 10 pF, ±5%, C0G, 50 V |
| C4 | 0402 | Murata | GRM1555C1H102JA01 | Ceramic capacitor, 1000 pF, ±5%, C0G, 50 V |
| C6 | 0402 | Murata | GRM1555C1H221JA01 | Ceramic capacitor, 220 pF, ±5%, C0G, 50 V |
| C7, C8 | 0402 | Murata | GRM1555C1H101JZ01 | Ceramic capacitor, 100 pF, ±5%, C0G, 50 V |
| C5 | 0402 | Murata | GRM155R61C105KA12 | Ceramic capacitor, 1 μF, ±10%, X5R, 16 V |
| L1, L2 | 0603 | Murata | LQG18HN15NJ00D | Inductor, 15 nH, 350 mA, ±5% |
| L3, L4 | 0603 | Murata | LQG18HN10NJ00D | Inductor, 10 nH, 400 mA, ±5% |
| R4 | 0805 | ROhm | ESR10EZPJ820 | Resistor, 82 Ω, 0.4 W, ±5% |
| R5 | 0805 | ROhm | ESR10EZPJ121 | Resistor, 120 Ω, 0.4 W, ±5% |
| C10 | 0402 | Murata | GRM155R61C225KE11 | Ceramic capacitor, 2.2 μF, ±10%, X5R, 16 V |
| C11 | 0603 | Murata | GRM188R61H225KE11 | Ceramic capacitor, 2.2 μF, ±10%, X5R, 50 V |
| C12 | 0402 | Murata | GRM155B31H103KA88 | Ceramic capacitor, 10 nF, ±10%, B, 50 V |
| R3 | 0402 | Panasonic | ERJ2GEJ104 | Resistor, 100 kΩ, 25 V, 0.063 W, ±5% |
| R2 | 0402 | Panasonic | ERJ2GEJ275X | Resistor, 2.7 MΩ, 50 V, 0.10 W, ±5% |
| R1 | 0402 | Panasonic | ERA2AEB6042X | Resistor, 60 kΩ, fixed, 0.063 W, ±5% |
| C9 | 0402 | Murata | GRM155R71H471KA01 | Ceramic capacitor, 470 pF, ±10%, X7R, 50 V |
| D1 | 1.6 x 0.8 x 0.6 mm | Diodes, Inc. | SDM20U40 | 0.25 A low VF Schottky Diode SOD523 |
| L5 | 2.5 x 2.0 x 1.2 mm | Murata | DFE252012P-4R7M | Power inductor, 4.7 μH, 1.4 A, SMD |

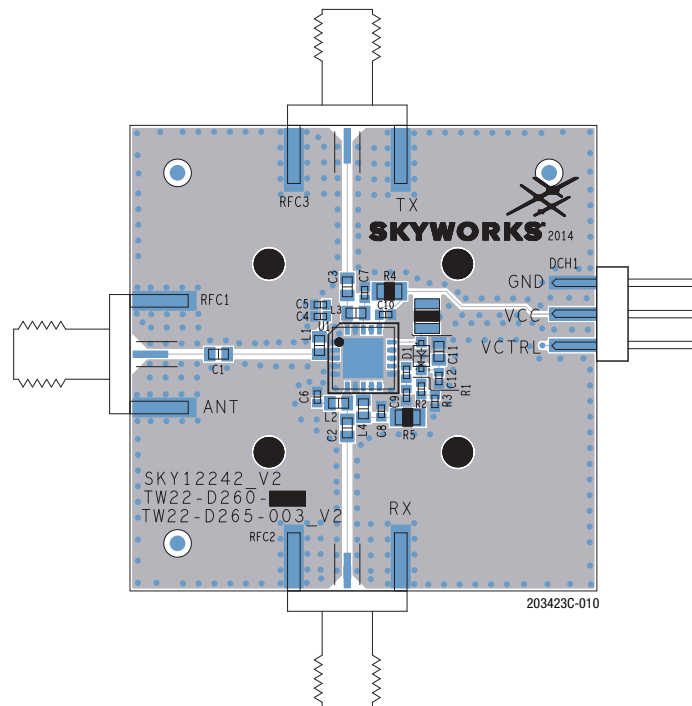


Figure 10. SKY12242-492LF Evaluation Board Assembly Diagram

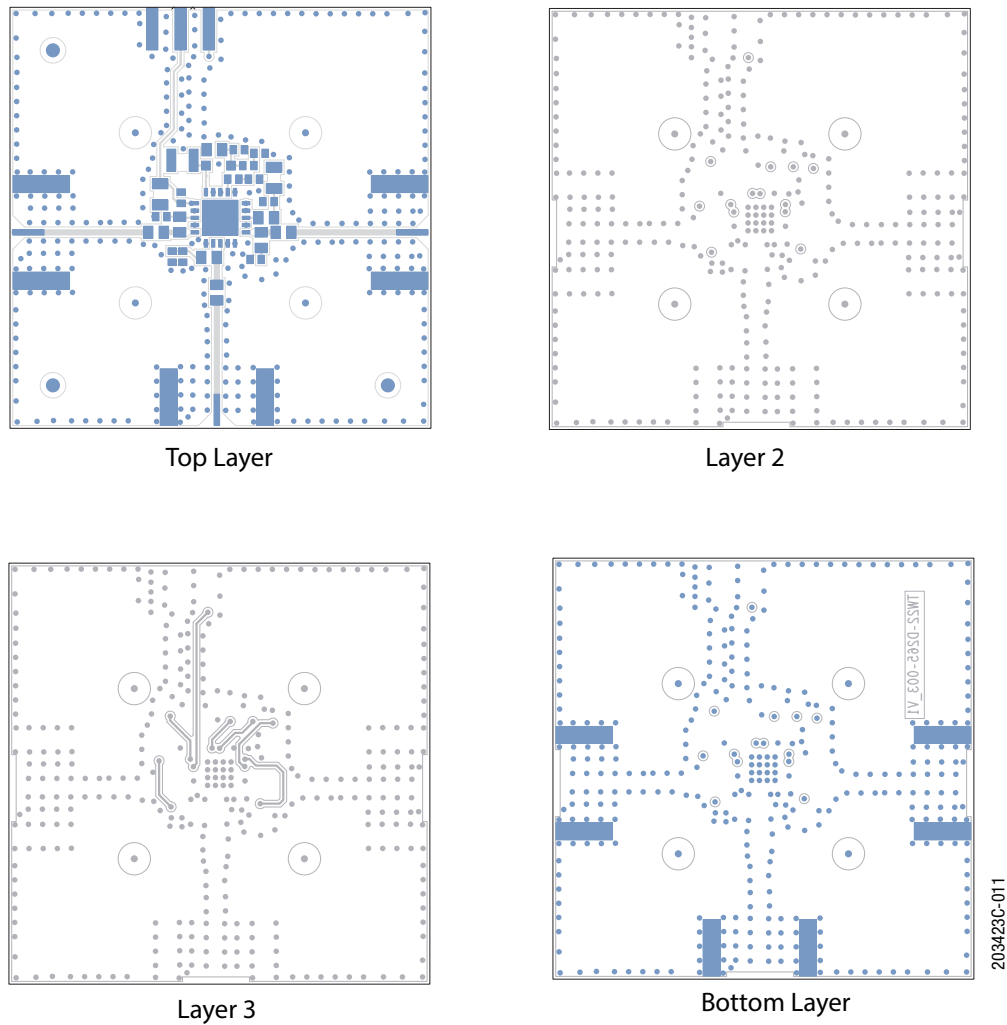


Figure 11. SKY12242-492LF Board Layer Detail

| Cross Section | Name | Thickness (in) | Material |
|---------------|--------------------|----------------|---------------------|
| | Top Solder Mask | | |
| | L1 | (0.0028) | Cu foil |
| | Laminate | 0.012 ± 0.0006 | Rogers R04003C Core |
| | L2 | (0.0014) | Cu foil |
| | Laminate | (Note 1) | FR4 Prepreg |
| | L3 | (0.0014) | Cu foil |
| | Laminate | 0.010 ± 0.0006 | FR4 Core |
| | L4 | (0.0028) | Cu foil |
| | Bottom Solder Mask | | |

Note: Adjust this thickness to meet total thickness goal of 0.062 ± 0.005 inch.

203423C-012

Figure 12. SKY12242-492LF Layer Detail Physical Characteristics

Package Dimensions

The PCB layout footprint for the SKY12242-492LF is shown in Figure 13. Typical part markings are noted in Figure 14. Package dimensions are shown in Figure 15, and tape and reel dimensions are provided in Figure 16.

Package and Handling Information

Since the device package is sensitive to moisture absorption, it is baked and vacuum packed before shipping. Instructions on the shipping container label regarding exposure to moisture after the container seal is broken must be followed. Otherwise, problems related to moisture absorption may occur when the part is subjected to high temperature during solder assembly.

The SKY12242-492LF is rated to Moisture Sensitivity Level 3 (MSL3) at 260 °C. It can be used for lead or lead-free soldering. For additional information, refer to the Skyworks Application Note, *Solder Reflow Information*, document number 200164.

Care must be taken when attaching this product, whether it is done manually or in a production solder reflow environment. Production quantities of this product are shipped in a standard tape and reel format.

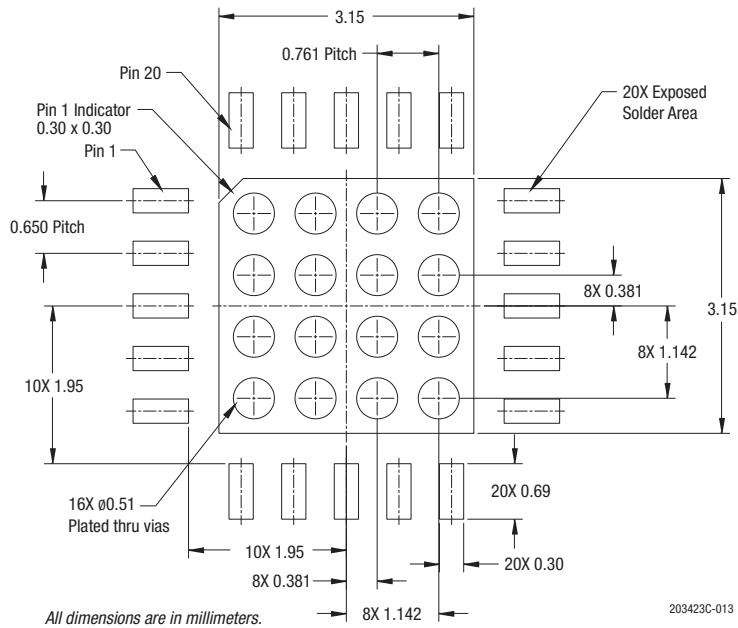


Figure 13. PCB Layout Footprint

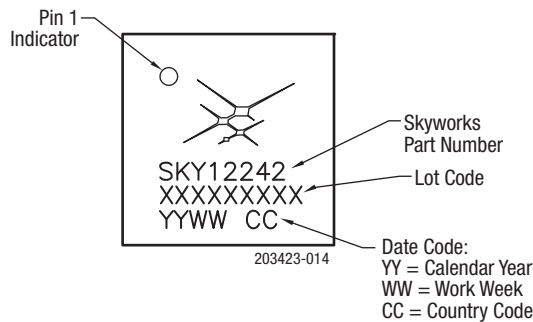
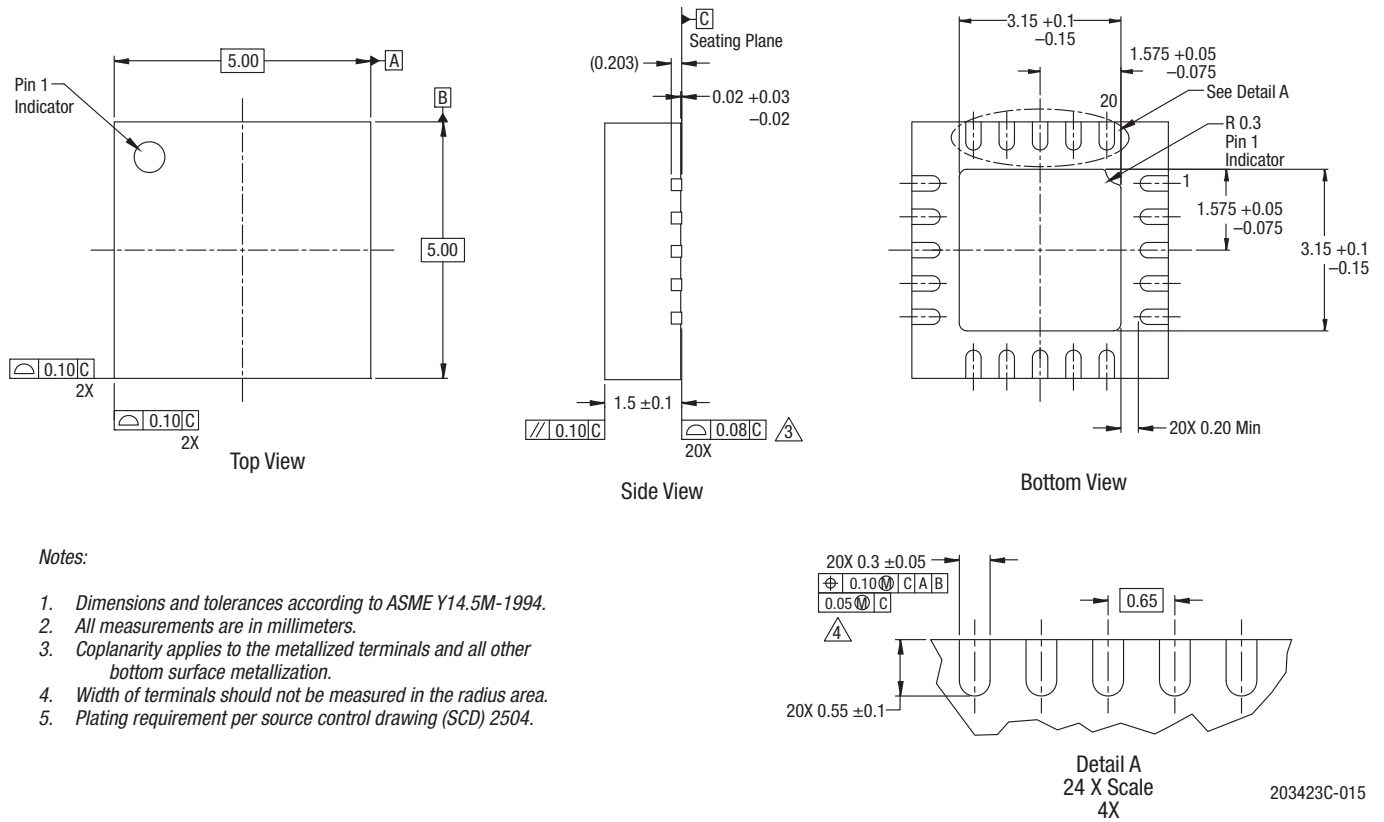


Figure 14. Typical Part Markings (Top View)

DATA SHEET • SKY12242-492LF: 100 W COMPACT HIGH-POWER SPDT SWITCH WITH INTEGRATED DRIVER

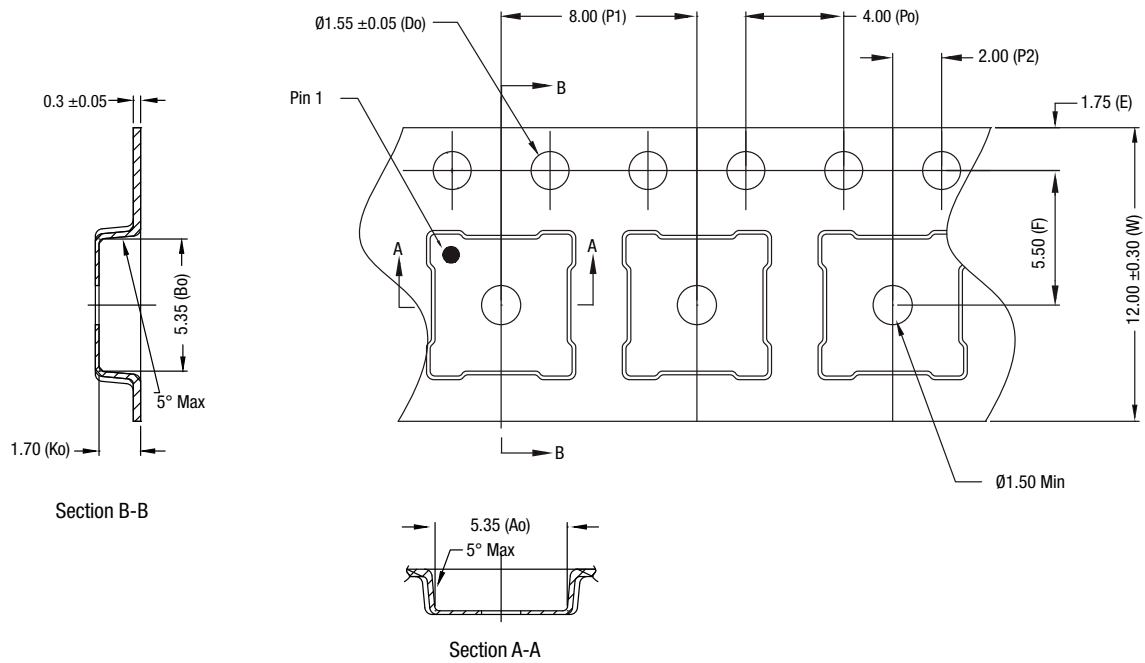


Notes:

1. Dimensions and tolerances according to ASME Y14.5M-1994.
2. All measurements are in millimeters.
3. Coplanarity applies to the metallized terminals and all other bottom surface metallization.
4. Width of terminals should not be measured in the radius area.
5. Plating requirement per source control drawing (SCD) 2504.

Figure 15. SKY12242-492LF Package Dimensions

203423C-015



- Notes:
1. Carrier tapes must meet all requirements of Skyworks GP01-D233 procurement spec for tape and reel shipping.
 2. Carrier tape shall be black conductive polystyrene.
 3. Cover tape shall be transparent conductive material.
 4. ESD-surface resistivity shall be $\leq 1 \times 10^{10}$ Ohms/square per EIA, JEDEC TNR specification.
 5. P0/P1 10 pitches cumulative tolerance on tape: ± 0.20 mm.
 6. Ao & Bo measurement point to be 0.30 mm from bottom pocket.
 7. All dimensions are in millimeters.

203423C-016

Figure 16. SKY12242-492LF Tape and Reel Dimensions

Ordering Information

| Part Number | Product Description | Evaluation Board Part Number |
|----------------|--------------------------------------|------------------------------|
| SKY12242-492LF | 100 W Compact High-Power SPDT Switch | SKY12242-492LF-EVB |

Copyright © 2015-2018 Skyworks Solutions, Inc. All Rights Reserved.

Information in this document is provided in connection with Skyworks Solutions, Inc. (“Skyworks”) products or services. These materials, including the information contained herein, are provided by Skyworks as a service to its customers and may be used for informational purposes only by the customer. Skyworks assumes no responsibility for errors or omissions in these materials or the information contained herein. Skyworks may change its documentation, products, services, specifications or product descriptions at any time, without notice. Skyworks makes no commitment to update the materials or information and shall have no responsibility whatsoever for conflicts, incompatibilities, or other difficulties arising from any future changes.

No license, whether express, implied, by estoppel or otherwise, is granted to any intellectual property rights by this document. Skyworks assumes no liability for any materials, products or information provided hereunder, including the sale, distribution, reproduction or use of Skyworks products, information or materials, except as may be provided in Skyworks Terms and Conditions of Sale.

THE MATERIALS, PRODUCTS AND INFORMATION ARE PROVIDED “AS IS” WITHOUT WARRANTY OF ANY KIND, WHETHER EXPRESS, IMPLIED, STATUTORY, OR OTHERWISE, INCLUDING FITNESS FOR A PARTICULAR PURPOSE OR USE, MERCHANTABILITY, PERFORMANCE, QUALITY OR NON-INFRINGEMENT OF ANY INTELLECTUAL PROPERTY RIGHT; ALL SUCH WARRANTIES ARE HEREBY EXPRESSLY DISCLAIMED. SKYWORKS DOES NOT WARRANT THE ACCURACY OR COMPLETENESS OF THE INFORMATION, TEXT, GRAPHICS OR OTHER ITEMS CONTAINED WITHIN THESE MATERIALS. SKYWORKS SHALL NOT BE LIABLE FOR ANY DAMAGES, INCLUDING BUT NOT LIMITED TO ANY SPECIAL, INDIRECT, INCIDENTAL, STATUTORY, OR CONSEQUENTIAL DAMAGES, INCLUDING WITHOUT LIMITATION, LOST REVENUES OR LOST PROFITS THAT MAY RESULT FROM THE USE OF THE MATERIALS OR INFORMATION, WHETHER OR NOT THE RECIPIENT OF MATERIALS HAS BEEN ADVISED OF THE POSSIBILITY OF SUCH DAMAGE.

Skyworks products are not intended for use in medical, lifesaving or life-sustaining applications, or other equipment in which the failure of the Skyworks products could lead to personal injury, death, physical or environmental damage. Skyworks customers using or selling Skyworks products for use in such applications do so at their own risk and agree to fully indemnify Skyworks for any damages resulting from such improper use or sale.

Customers are responsible for their products and applications using Skyworks products, which may deviate from published specifications as a result of design defects, errors, or operation of products outside of published parameters or design specifications. Customers should include design and operating safeguards to minimize these and other risks. Skyworks assumes no liability for applications assistance, customer product design, or damage to any equipment resulting from the use of Skyworks products outside of stated published specifications or parameters.

Skyworks and the Skyworks symbol are trademarks or registered trademarks of Skyworks Solutions, Inc. or its subsidiaries in the United States and other countries. Third-party brands and names are for identification purposes only, and are the property of their respective owners. Additional information, including relevant terms and conditions, posted at www.skyworksinc.com, are incorporated by reference.